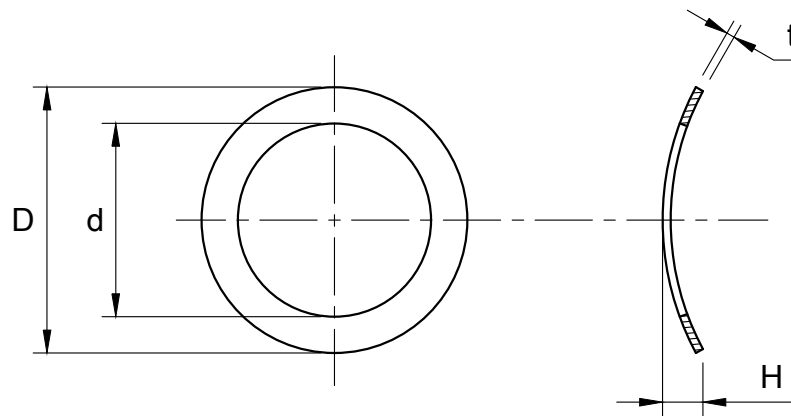


### Curved Washer



Unit : mm

Size-No.		Curved Washer						t
		d		D		H		
		Basic	Tol.	Basic	Tol.	Basic	Tol.	
MB-	1711	1.7	+0.2 -0.1	3.7	±0.2	0.6	±0.2	0.1
	3212	3.2		6.5		1		0.15
	4001	4.1		10		1.3		0.2
	4201	4.2		10		1.2		0.25
	4301	4.3		6.8		1		0.15
	4302	4.3	8	1.2		0.3		
	5011	5	±0.2	7.9		1.2		0.15
	5211	5.2		10		1.2		0.1
	5301	5.3		10		1.4		0.3
	6201	6.2		11		1.2		0.2
	6203	6.2		11	1.4	0.15		
	6301	6.3		±0.2	11	1.5	0.4	
	6411	6.4			24	±0.3	2.5	0.4
	6511	6.5			9.8	±0.2	1.2	0.5
	6811	6.8			10.6	1.8	0.15	
	8302	8.5			15	±0.3	2.3	0.5
	8501	8.5	16	3	0.4			
	12511	12.5	16.8	2.2	0.4			
	14501	14.8	20	3	0.3			
	15900	15.9	20	1.3	0.25			
16601	16.6	±0.3	25	2	0.3			

• Material = carbon steel      Hardness = HRC40~50      Finish = black oxide or phosphate coating (ACP)