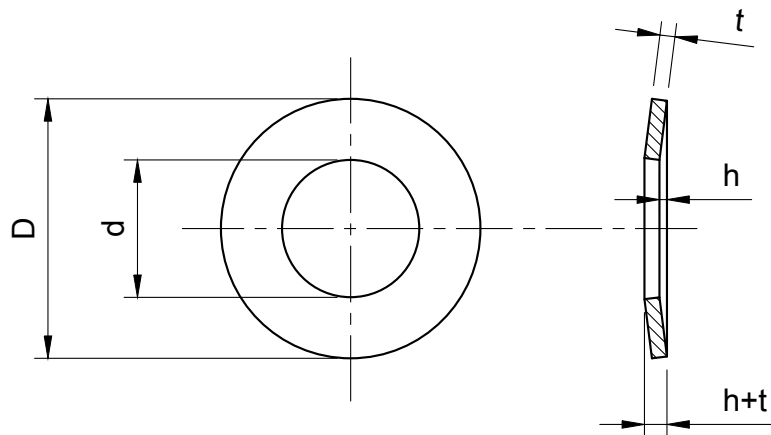


Disc Spring



Unit : mm

Size-No.	Curved Washer				H (Heavy Duty)				L (Light Duty)				
	d		D		t		h	h+t	t		h	h+t	
	Basic	Tol.	Basic	Tol.	Basic	Tol.	Approx.	Approx.	Basic	Tol.	Approx.	Approx.	
DB-	4	4.2	+0.3 -0.1	8	±0.3	0.4	±0.04	0.2	0.6	0.3	±0.03	0.25	0.55
	5	5.2		10		0.5		0.25	0.75	0.4		0.3	0.7
	6	6.2		12.5		0.7	±0.05	0.3	1	0.5	±0.04	0.35	0.85
	7	7.2		14		0.8		0.3	1.1	0.5	0.4	0.9	
	8	8.2		16		0.9	±0.06	0.35	1.25	0.6	±0.05	0.45	1.05
	9	9.2	18	1	0.4	1.4		0.7	0.5	1.2			
	10	10.2	20	1	0.45	1.45		0.8	0.55	1.35			
	11	11.2	+0.4 -0.1	22.5	±0.4	1.2	±0.07	0.5	1.7	0.8	±0.06	0.65	1.45
	12	12.2		25		1.5		0.55	2.05	0.9		0.7	1.6
	14	14.2	28	1.5	±0.12	0.65	2.15	1	±0.06	0.8	1.8		
	16	16.3	31.5	1.75		0.7	2.45	1.2	±0.07	0.9	2.1		
	18	18.3	35.5	2		0.8	2.8	1.2		1	2.2		
	20	20.4	+0.5 -0.2	40		±0.5	2	0.9	2.9	1.5	1.15	2.65	
	22	22.4		45	2.5		±0.1	1	3.5	1.75	1.3	3.05	
	25	25.4		50	3		±0.08	1.1	4.1	2	1.4	3.4	
	28	28.5	56	3	1.3	4.3		2	1.6	3.6			
	30	31	+0.6 -0.4	63	±0.6	3.5	±0.1	1.4	4.9	2.5	±0.1	1.75	4.25
	35	36		71		4		1.6	5.6	2.5		2	4.5
	40	41		80		5	±0.15	1.7	6.7	3	2.3	5.3	
	45	46		90		5		2	7	3.5	±0.12	2.5	6
50	51	±0.7	100	±0.7	6		2.2	8.2	3.5		2.8	6.3	

• Material = carbon steel

Hardness = HRC40~50

Finish = black oxide or phosphate coating (ACP)