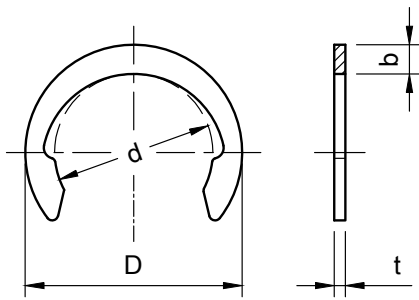
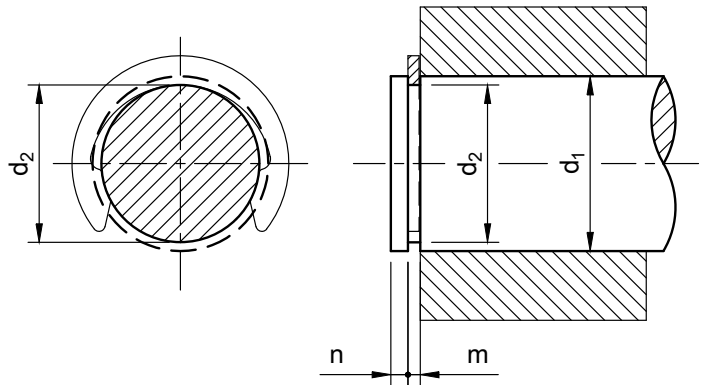


Crescent type Retaining Ring

Retaining ring



Applicable shaft



Unit : mm

Size-No.	Ring dimension						Applicable shaft						
	d		D	b	t		d ₁	d ₂		m		n	
	Basic	Tol.			Basic	Tol.		Basic	Tol.	Basic	Tol.		
5103-	12	2.59	+0.05 -0.1	4.17	0.79	0.4	±0.03	3.2	2.69	±0.04	0.48	+0.04 0	0.5
	18	4.09		6.19	1.05	0.4		4.8	4.19		0.48		0.6
	21	4.75		6.99	1.12	0.6		5.6	4.9		0.7		0.7
	25	5.36		7.9	1.27	0.6	±0.04	6.4	5.59		0.7		0.8
	31	6.86		9.56	1.35	0.6		7.9	7.01	±0.05	0.7		0.9
	37	8.33	+0.07 -0.13	11.37	1.52	0.6		9.5	8.51		0.7	+0.06 0	1
	40	9.12		12.32	1.6	0.6		10.3	9.25		0.7		1.1
	43	9.8		13.1	1.65	0.6	±0.05	11.1	9.98		0.7		1.1
	46	10.54		14	1.73	0.6		11.9	10.69		0.7		1.2
	50	11.2	±0.15	14.76	1.78	0.9		12.7	11.43	±0.07	1		1.3
56	12.62		16.56	1.98	0.9	±0.06	14.3	12.88		1	+0.07 0	1.4	
81	18.31	±0.18	23.23	2.46	1.4		20.6	18.59		1.5		2.3	

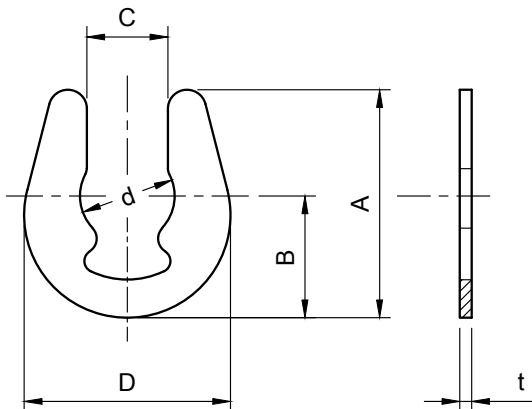
• Material = carbon steel

Hardness = HRC44~52

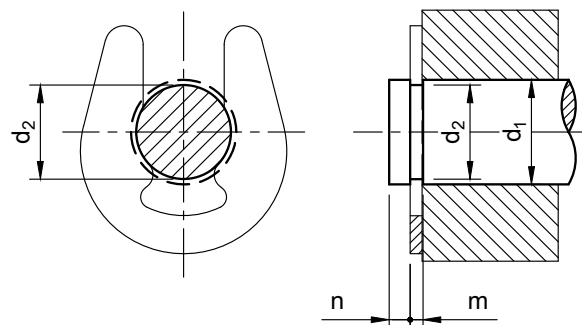
Finish = black oxide or phosphate coating (ACP)

U-type Retaining Ring

Retaining ring



Applicable shaft



Unit : mm

Size-No.	Ring dimension								Applicable shaft							
	d		A	D	C		B	t		d ₁		d ₂		m		n
	Basic	Tol.			Basic	Tol.		Basic	Tol.	Min.	Max.	Basic	Tol.	Basic	Tol.	
UTW-	3.2	3.2	8.7	8	2.8		4.6	0.6		4	5	3.26		0.7		1
	4	4	+0.03 -0.1	10	9	3.6	0	-0.2		5	7	4.08	+0.05 0	0.8		1.2
	5	5		12.8	11.6	4.4		6.8	0.7	±0.04	6	8	5.1		0.8	+0.1 0
	6	6	+0.05 -0.15	14.8	13.5	5.3		8	0.7		7	9	6.1		0.8	
	7	7		17	15	6.2	0	-0.3		±0.05	8	11	7.1	+0.08 0	1	
	8	8	+0.05 -0.2	19.5	17.5	7.1		10.5	1		9	12	8.1		1.1	

• Material = carbon steel

Hardness = HRC44~52

Finish = black oxide or phosphate coating (ACP)