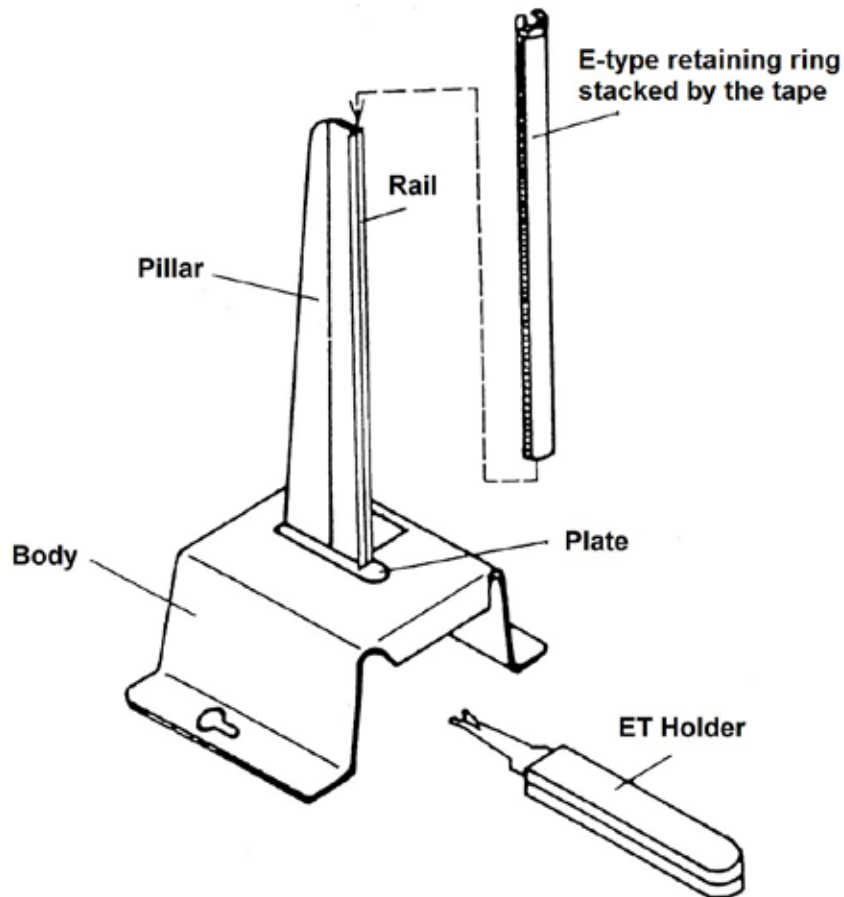


ET Stand for 200pcs



The relationship between E-ring stack and ET holder for ET stand

Unit : mm

| Size-No. | Applicable E-type retaining ring | | | E-ring Stack Size-No. | ET Holder Size-No. | ET Stand Size-No. |
|----------|----------------------------------|------------------|-----------------|-----------------------|--------------------|-------------------|
| | Inside diameter | Outside diameter | Plate thickness | | | |
| ETW- 0.6 | 0.6 | 1.5 | 0.2 | ETW- - | ETH- 0.6 | ETS- 0.6 |
| 0.8 | 0.8 | 2 | 0.2 | - | 0.8 | 0.8 |
| 1 | 0.98 | 2.8 | 0.2 | - | 1 | 1 |
| 1.2 | 1.2 | 3 | 0.3 | 1.2 I | 1.2 | 1.2 |
| 1.5 | 1.5 | 4 | 0.4 | 1.5 I | 1.5 | 1.5 |
| 2 | 2 | 5 | 0.4 | 2 I | 2 | 2 |
| 2.3 | 2.3 | 6 | 0.4 | - | 2.3 | 2.3 |
| 2.5 | 2.5 | 6 | 0.4 | 2.5 I | 2.5 | 2.5 |
| 3 | 3 | 7 | 0.6 | 3 I | 3 | 3 |
| 3.2 | 3.2 | 7 | 0.6 | - | 3.2 | 3.2 |
| 4 | 4 | 9 | 0.6 | 4 I | 4 | 4 |
| 5 | 5 | 11 | 0.6 | 5 I | 5 | 5 |
| 6 | 6 | 12 | 0.8 | 6 I | 6 | 6 |
| 7 | 7 | 14 | 0.8 | 7 I | 7 | 7 |
| 8 | 8 | 16 | 0.8 | - | 8 | 8 |
| 9 | 9 | 18 | 0.8 | - | 9 | 9 |
| 10 | 10 | 20 | 1 | - | 10 | 10 |
| 12 | 12 | 23 | 1 | - | 12 | 12 |