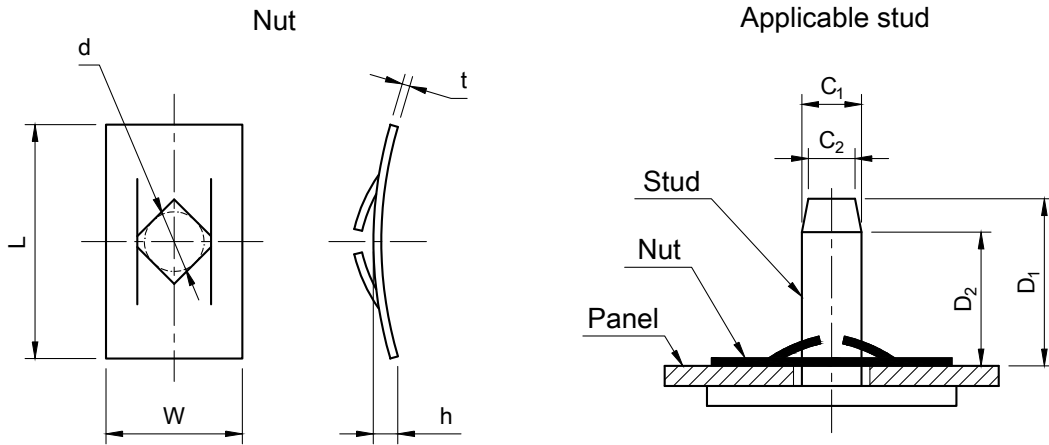


## Push-on Spring Nut (Rectangle)

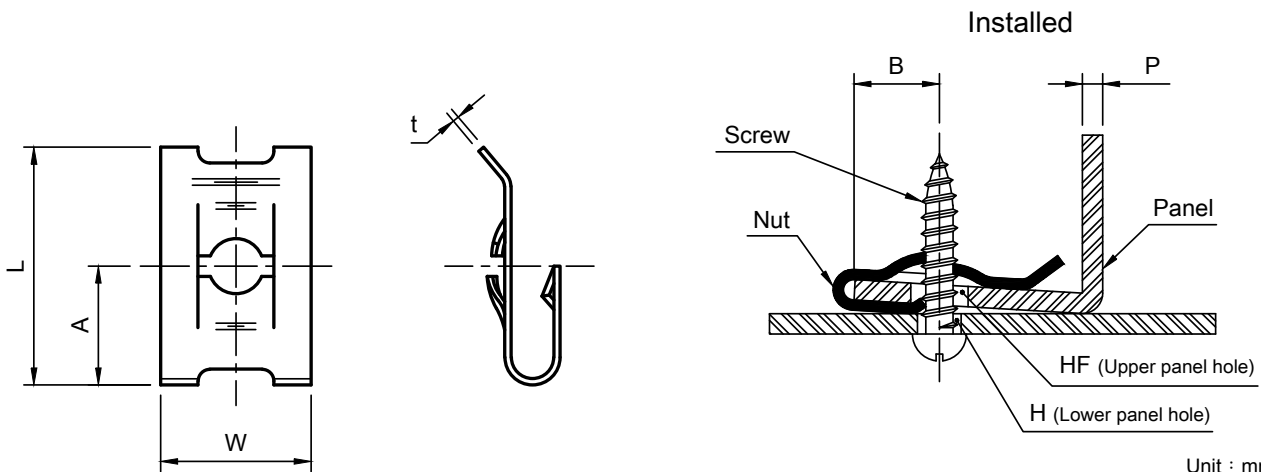


Unit : mm

Size-No.	Nut					Applicable stud					Trust load Min. kgf				
	d		W	L	Gen. Tol.	h		t	C <sub>1</sub>			C <sub>2</sub>	D <sub>1</sub>	D <sub>2</sub>	
Basic	Tol.	Basic				Tol.	Basic		Tol.	Basic	Tol.				Basic
PSN-	※ 1.2	1.1	±0.1	6	12	±0.15	0.95	±0.25	0.3	1.3	±0.05	1	6	4.5	12
	※ 1.5	1.38		6	12		0.95		0.3	1.57		1.2	6	4.5	12
	※ 1.8	1.68		6	12		1.05		0.4	1.87		1.5	6	4.5	20
	2	1.85	6	12	1	0.4	2.07	1.6	6	4.5	23				
	3	2.8	8	14	1.2	0.4	3.1	2.6	8	6	28				
	4	3.8	9	16	1.5	0.4	4.1	3.6	8	6	28				
	5	4.8	11	18	1.6	0.4	5.1	4.6	8	6	50				
	6	5.8	12	20	1.7	0.4	6.1	5.6	10	8	50				
8	7.8	15	23	2.2	0.5	8.1	7.6	10	8	50					

- Material = carbon steel      Hardness = HRC40~50      Finish = black oxide
- Note : 1.The data of trust load is measured by the load test, and the test stud is made of cold rolled steel.
- 2.This nut can not be pushed onto the hardened stud.

## J-Type Spring Nut



Unit : mm

Size-No.	Applicable screw	Nut				Panel					
		W	L	A	t	P		B	H	HF	
Min.	Max.					Min.					
JSN-	3001	M3 x 0.5	11.2	18	9	0.3	0.6	1	7.5	4	5.5
	4001	M4 x 0.7	12.7	20	10	0.4	0.7	1.2	8	5	7
	4003	M4 x 18	12.7	20	10	0.6	0.8	1.2	8	5	7
	5001	M5 x 0.8	12.7	20	10	0.45	0.7	1.2	8	6	8
	5004	M5 x 16	12.7	21.2	11.2	0.7	0.7	1.2	9	6	8
	5003	M5 x 12	12.7	22	12	0.7	2.5	3	9	6	8
	6001	M6 x 1	12.7	20	10	0.5	0.7	1.2	8	7.5	9.5
	6002	M6 x 14	12.7	20	10	0.7	0.7	0.8	8	7.5	9.5

- Material = carbon steel      Hardness = HRC40~50      Finish = black oxide