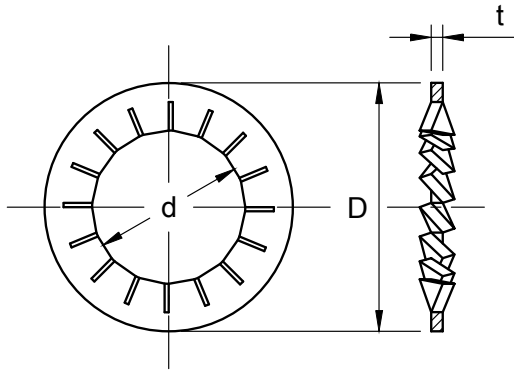
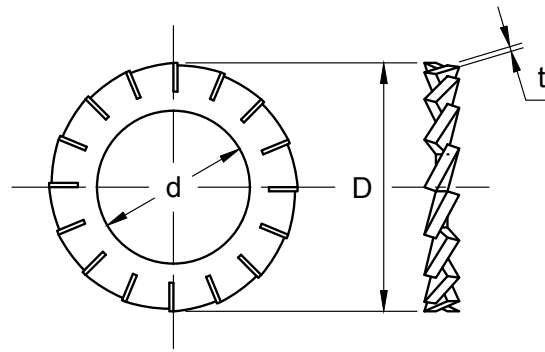


Overlapping Toothed Lock Washer

Internal type (JZ)



External type (AZ)



Size-No.		Screw size		d		D		t		Number of teeth	
Internal	External	m/m	inch	Basic	Tol.	Basic	Tol.	Basic	Tol.	Internal	External
JZ- 3	AZ- 3	3	-	3.05		6	±0.24	0.4		8	10
4	4	4	5/32	4.1	+0.3 0	8	±0.29	0.5		8	12
5	5	5	-	5.1		9.2		0.6	±0.03	8	12
6	6	6	-	6.1	+0.36 0	11		0.7		10	12
8	8	8	5/16	8.2		14	±0.35	0.8		12	14
10	10	10	-	10.2		18		0.9		12	16
12	12	12	-	12.3	+0.43 0	20		1	±0.04	14	18
14	14	14	-	14.3		24	±0.42	1.1		16	20
16	16	16	5/8	16.3		26		1.2		16	20
18	18	18	-	18.5		30		1.4		16	20
20	20	20	-	20.5	+0.52 0	32.5		1.4	±0.05	16	22
22	22	22	7/8	22.5		35	±0.5	1.5		18	22
24	24	24	-	24.5		38		1.5		20	24

• Material = carbon steel

Hardness = HRC40~50

Finish = Zinc plating