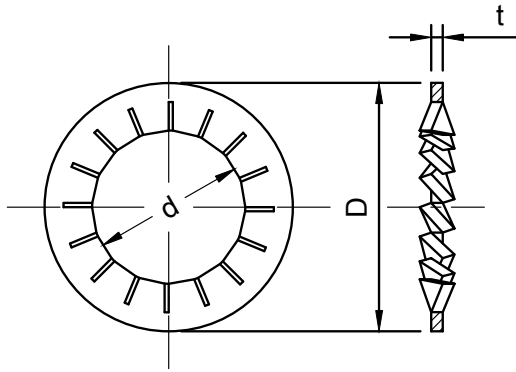
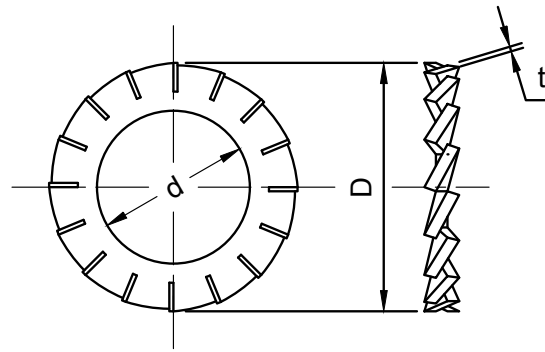


## Overlapping Toothed Lock Washer

Internal type (JZ)



External type (AZ)



| Size-No. |          | Screw size |      | d     |            | D     |       | t     |       | Number of teeth |          |
|----------|----------|------------|------|-------|------------|-------|-------|-------|-------|-----------------|----------|
| Internal | External | m/m        | inch | Basic | Tol.       | Basic | Tol.  | Basic | Tol.  | Internal        | External |
| JZ- 3    | AZ- 3    | 3          | -    | 3.05  |            | 6     | ±0.24 | 0.4   |       | 8               | 10       |
| 4        | 4        | 4          | 5/32 | 4.1   | +0.3<br>0  | 8     | ±0.29 | 0.5   |       | 8               | 12       |
| 5        | 5        | 5          | -    | 5.1   |            | 9.2   |       | 0.6   | ±0.03 | 8               | 12       |
| 6        | 6        | 6          | -    | 6.1   | +0.36<br>0 | 11    |       | 0.7   |       | 10              | 12       |
| 8        | 8        | 8          | 5/16 | 8.2   |            | 14    | ±0.35 | 0.8   |       | 12              | 14       |
| 10       | 10       | 10         | -    | 10.2  |            | 18    |       | 0.9   |       | 12              | 16       |
| 12       | 12       | 12         | -    | 12.3  | +0.43<br>0 | 20    |       | 1     | ±0.04 | 14              | 18       |
| 14       | 14       | 14         | -    | 14.3  |            | 24    | ±0.42 | 1.1   |       | 16              | 20       |
| 16       | 16       | 16         | 5/8  | 16.3  |            | 26    |       | 1.2   |       | 16              | 20       |
| 18       | 18       | 18         | -    | 18.5  |            | 30    |       | 1.4   |       | 16              | 20       |
| 20       | 20       | 20         | -    | 20.5  | +0.52<br>0 | 32.5  |       | 1.4   | ±0.05 | 16              | 22       |
| 22       | 22       | 22         | 7/8  | 22.5  |            | 35    | ±0.5  | 1.5   |       | 18              | 22       |
| 24       | 24       | 24         | -    | 24.5  |            | 38    |       | 1.5   |       | 20              | 24       |

• Material = carbon steel

Hardness = HRC40~50

Finish = Zinc plating