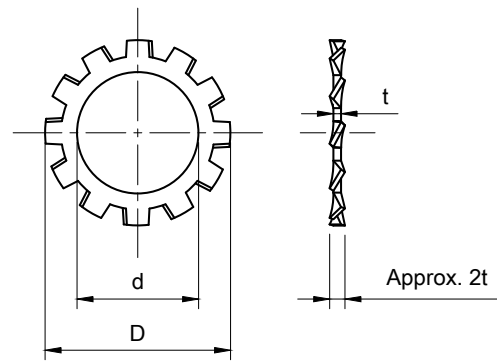
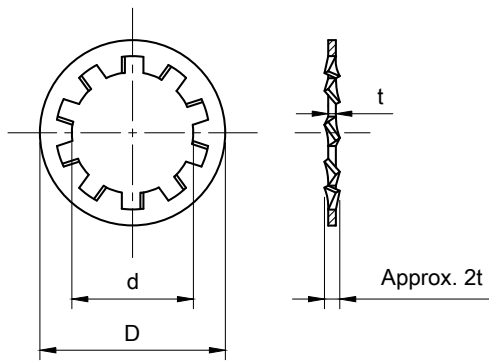


Toothed Lock Washer

JIS B 1251

Internal type (AW)

External type (BW)



Unit : mm

Size-No.		Screw size		d		D		t		Number of teeth	
Internal	External	m/m	inch	Basic	Tol.	Basic	Tol.	Basic	Tol.	Internal	External
AW- 2	BW- 2	2	-	2.2	+0.2 0	4.8	0 -0.3	0.3	±0.025	7	8
2.3	2.3	2.3	-	2.5		5.3		0.3		7	8
2.5	2.5	2.5 (2.6)	-	2.7		5.7		0.3		7	8
3	3	3	-	3.2		6.5		0.45		7	8
3.5	3.5	3.5	-	3.7		7.5		0.45		8	8
4	4	4	-	4.3		8.5		0.45		8	8
4.5	4.5	4.5	-	4.8		9.5		0.5		8	8
5	5	5	-	5.3		10		0.6		8	10
6	6	6	-	6.4		11		0.6		9	12
7	-	7	-	7.4		13		0.8		10	-
8	8	8	-	8.4	+0.3 0	15	0 -0.5	0.8	±0.035	9	12
3/8	3/8	-	3/8	9.8		17.5		0.9		9	12
10	10	10	-	10.5		18		0.9		9	12
7/16	7/16	-	7/16	11.4		19.5		0.9		10	12
12	12	12	-	12.5	+0.4 0	21	0 -0.6	1	±0.055	10	12
1/2	1/2	-	1/2	13		22.5		1		10	12
14	14	14	-	14.5		23		1		10	12
16	16	16	5/8	16.5		26		1.2		12	14
18	18	18	-	19	+0.5 0	29	0 -0.8	1.2	±0.065	12	14
3/4	3/4	-	3/4	19.6		32		1.2		12	14
20	20	20	-	21		32		1.4		12	14
22	22	22	7/8	23		35		1.4		14	16
24	24	24	-	25		38		1.6		14	16
1"	1"	-	1"	26		41		1.6		14	16

• Material = carbon steel

Hardness = HRC40~50

Finish = Zinc plating